

2.7" Dual Camera Car BlackboxHD Vihecle DVR GPS Logger G-Sensor Video Recorder





Besides general functions of the recorder, this machine has three new main features:

(1) Built-in double lens can be used to take two images at front and back at the same time;

(2) Newly added GPS module can record the whole driving track. Using random specialized software, you can see the video at computer, at the same time connect Google map through the Internet. Driving track shows on the map and you can trace the running route of the vehicle.

(3) Built-in gravity sensor G-Sensor can record the gravity sensing information. Using random specialized software, you can see the video at computer, at the same time read the gravity sensing data to trace accident and abnormal circumstance occurred in the running process.

Description

Features:

100% Brand New.

2.7 inch TFT LCD screen

Dual lens, Surveillance the outside and inside together

Front lens : ultra wide angle of 140 degrees

Back lens : ultra wide-angle of 120 degrees high resolution

Built-in 1/4 inch low-noise and high-quality photographic element can capture ultra clear picture in a dark place

Automotive turning on and recording function when the vehicle start.

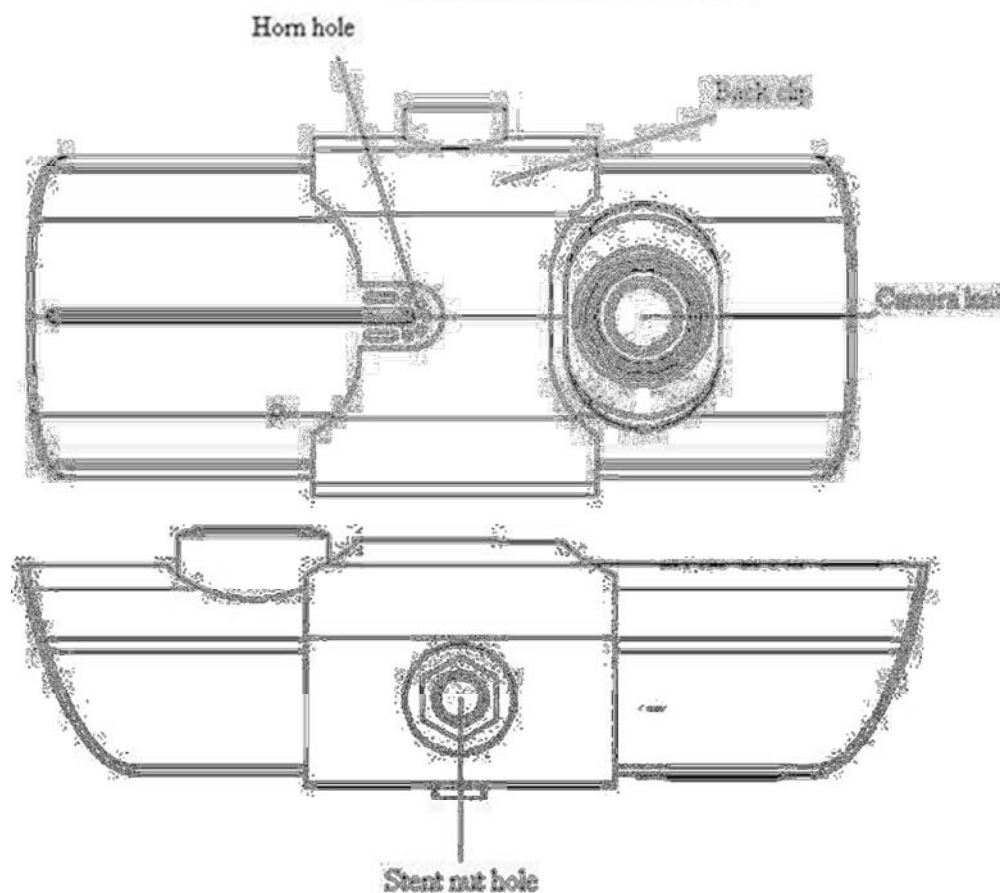
With a delayed start function to prevent transient pulse current damage machine at the moment the vehicle start

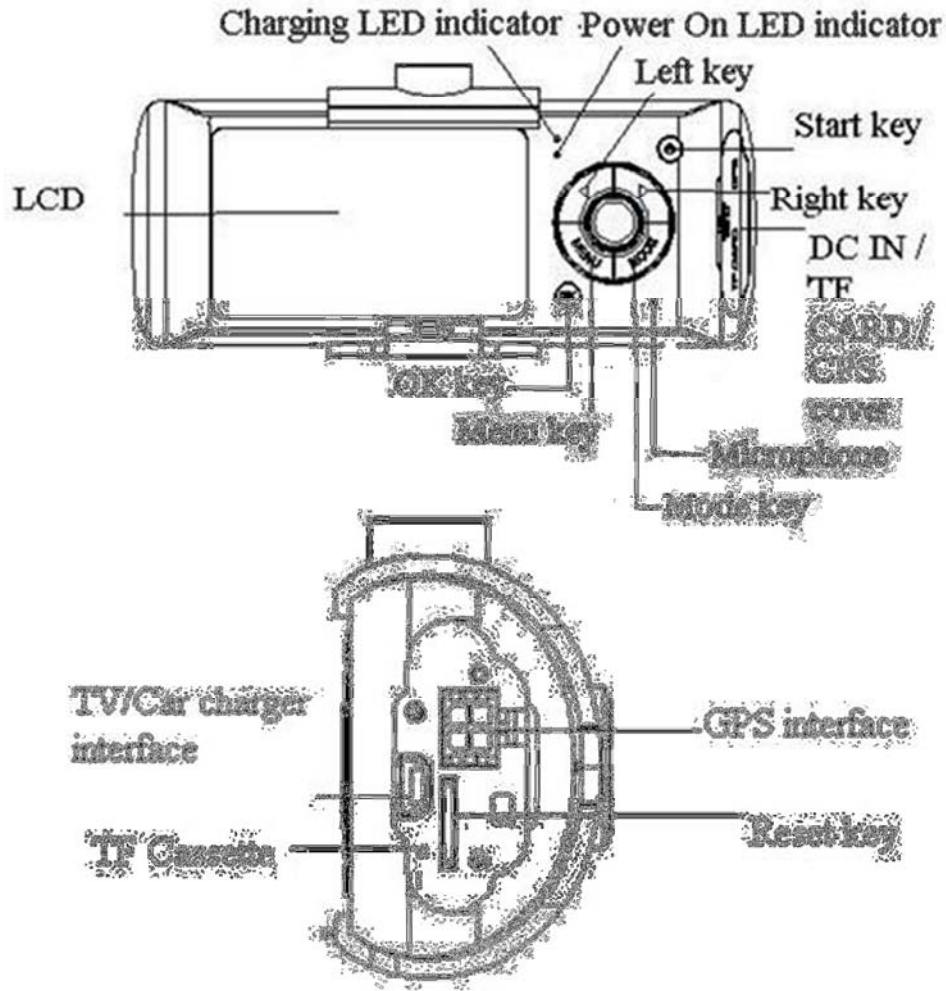
Built-in microphone/speaker.

Support high-capacity Micro TF Card,Up to 64GB

Built-in lithium battery with charging and meanwhile recording function.

GPS scanning and positioning Gravity induced SENS





Specification:

LCD screen size	2.7 "(16:9)
Lens	Front lens with ultra wide angle of 140 degrees; back lens with ultra wide-angle of 120 degrees
Video Resolution	1280*480
Image Resolution	2560*1920
Video format	AVI
memory card	Micro TF
Microphone / speaker	Built-in
Television output	NTSC/PAL
DC Power	5V 500MA
Battery	Built-in lithium polymer battery
System requirement	Windows 2000/XP/Vista/Windows 7,MAC OS x above 10.3.6

Package includes:



Payment